

dynasafe[®]

**universal load limiter
HF 32 series**



 **Tractel** Group

dynasafe®

UNIVERSAL load limiter HF 32 series

This mechanical load cell has been designed to provide a trip point for lifting systems which have a dead end wire rope.

The trip point provides a signal that the user may employ depending on his requirements, e.g. :

- for load limiting in lifting systems,
- to limit the speed as a function of the load on traversing,
- to limit the effort applied for pulling.

This **universal load cell** is recommended for its simplicity and quick-lifting capability.

Operating principle:

The load cell operates by the movement of metal within its elastic limits. This movement acts on an adjustable switch giving an "all-or-nothing" signal. The position of the adjustable pin sets the capacity range. The central "UNIVERSAL" fixing bracket is adapted to suit wire ropes from 5 to 16 mm (model HF32/1) and from 17 to 26 mm (model HF32/2).

(Full details may be found in the installation manual)

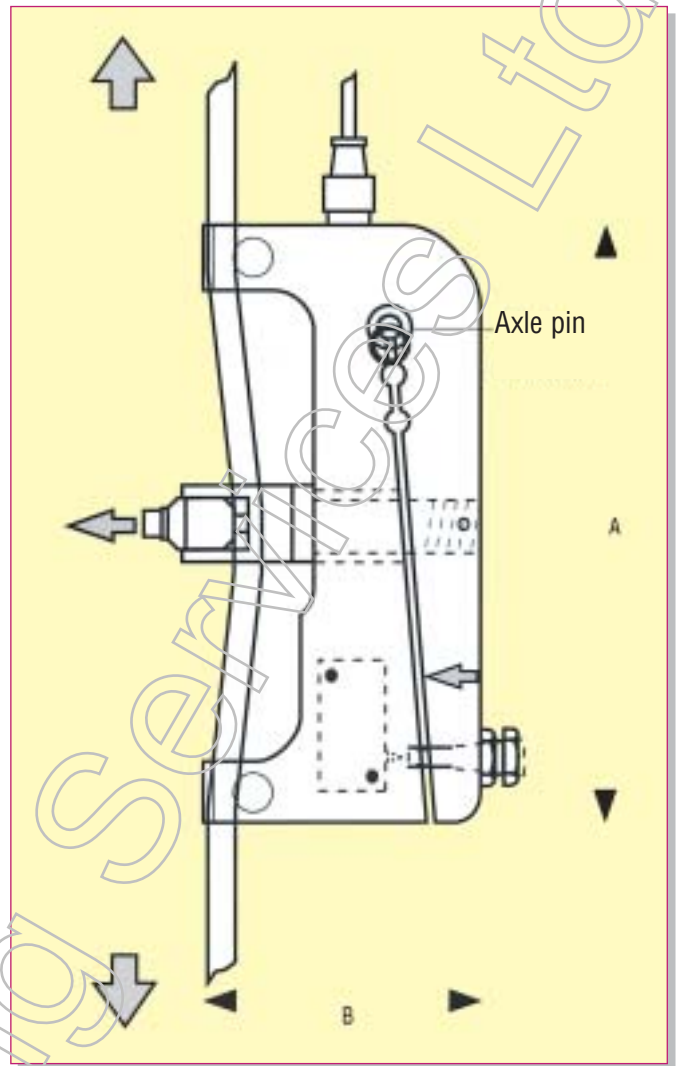


Fig. 1 - HF32 "universal" load cell - Operating principle

Model	Code	Dia. of wire rope mm	Maximum capacity daN	A mm	B mm	Thickness mm
HF 32/0/A	58278	5 à 10	100 à 1570	120	60	27
HF 32/1/A	58279	5 à 16	250 à 3000	150	70	40
HF 32/2/A	58280	17 à 26	300 à 6000	200	98	50
HF 32/3/A	58281	27 à 36	1000 à 12000	280	138	60

There is a version B, HF32.

HF 32/.A is also available in version B. The technical specifications of version A and B are similar except the microswitch is more sensitive with 1 micron Hysteresis and whose breaking capacity is 25 mA for version B.

Technical specifications:

Max. capacity HF 32/0/A: 1570 daN on a single fall
 HF 32/1/A: 3000 daN on a single fall
 HF 32/2/A: 6000 daN on a single fall
 HF 32/3/A: 12000 daN on a single fall

Adjustment: By screw
 Measuring by cell: Switch
 Trip point power: 4A/220 Vca
 0,5A/220 Vcc

Repeatability of cut out: +/- 5%
 temperature range: from -30°C to +80°C

Connections: By plug (2 m lead supplied)
 Material: Anodised, aeronautical grade aluminium
 Protection class: IP55
 Option: 2 trip points