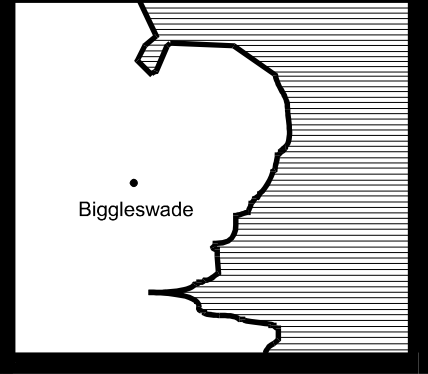


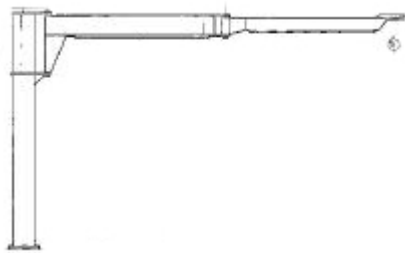
Anglia Handling Services Ltd.

Montgomery Way
Stratton Business Park
Biggleswade
Bedfordshire
SG18 8QB

Tel: +44 (0) 1767 312125
Fax: +44 (0) 1767 601375
sales@angliahandling.co.uk
www.angliahandling.co.uk



ARTICULATED JIB CRANES



Post Mounted



Column Mounted

A clever jib crane arm design offering a cost effective solution to awkward lifting applications and where headroom is limited. The articulated arm can reach behind the post, into the corner of a room, around an obstacle or corner where a fixed length arm will not work.

Available with 2 mounting options:

1. Post Mounted 360° Slew – supplied with its own post and base plate
2. Column Mounted 360° Slew – fixed to a suitable building column

The jib arm sections can be split to suit the application but are normally split 50:50.

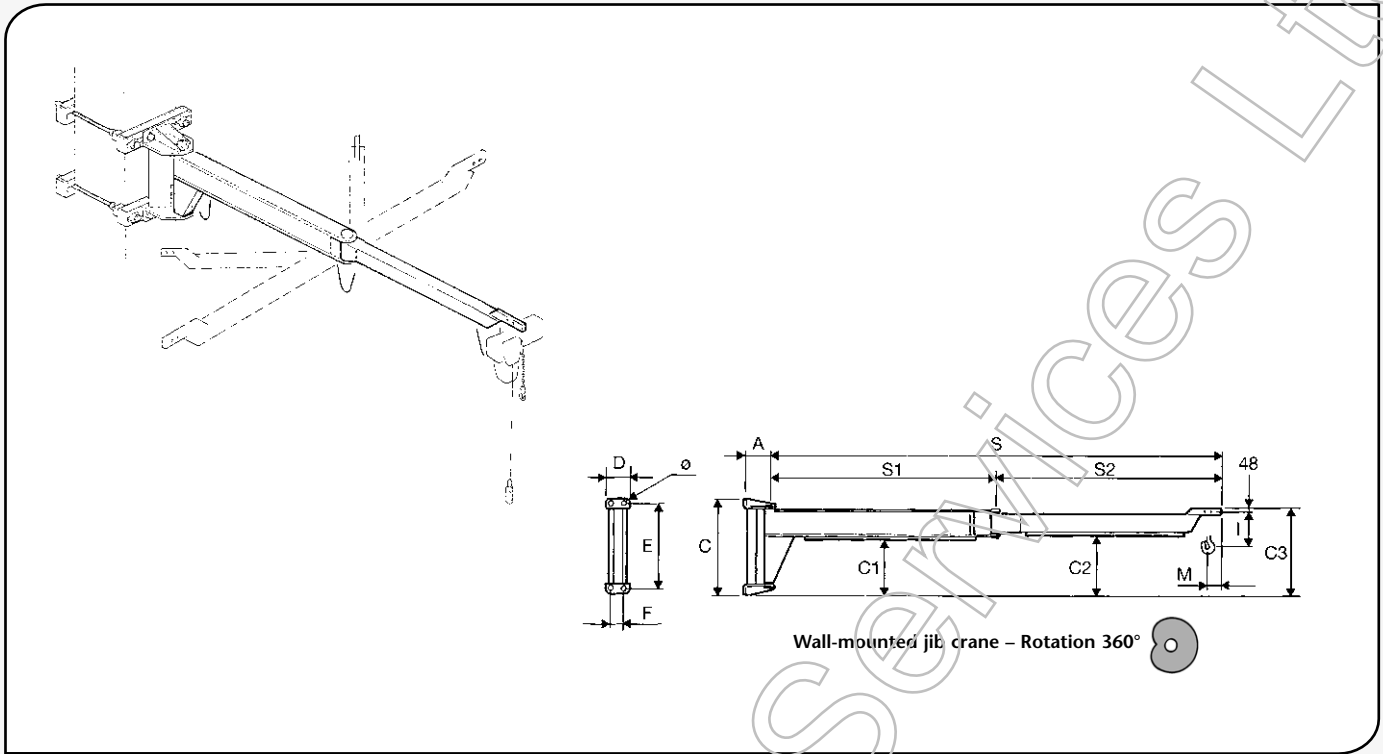
Safe Working Load (kg)	Arm Radius (m)					
	2	3	4	5	6	7
125						
250						
500						

Directors:
A. Jefferies
K.J. Logue
D. Elleman



Registered in England No. 1545263
Vat Registration: 335 2809 59

WALL-MOUNTED JIB CRANES WITH ARTICULATED ARM, WITH FIXED HOIST – MBB SERIES



Lifting capacity kg	Arm m	Size of jib crane	Wall-mounted jib crane with articulated arm with fixed hoist – MBB series															
			Type	Overall dimensions (mm)												Added hoist DMK	Height l	Weight of crane kg
			S1	S2	A	C	C1	C2	C3	D	E	F	Ø	M				
125	3	A	A01A3A	1000	2000	225	644	200	373	591	200	594	150	15	180	1	285	114
			A01A3B	1500	1500	225	644	200	373	591	200	594	150	15	180	1	285	138
			A01A3C	2000	1000	225	644	200	373	591	200	594	150	15	180	1	285	160
	4	B	A01B4A	1000	3000	225	644	200	333	591	200	594	150	15	180	1	285	141
			A01B4B	1500	2500	225	644	200	333	591	200	594	150	15	180	1	285	163
			A01B4C	2000	2000	225	644	200	373	591	200	594	150	15	180	1	285	171
	5	B	A01B5A	2000	3000	225	644	200	333	591	200	594	150	15	180	1	285	198
			A01B5B	2500	2500	225	644	200	333	591	200	594	150	15	180	1	285	220
			A01B5C	3000	2000	225	644	200	373	591	200	594	150	15	180	1	285	230
			A02C6B	2500	3500	280	930	455	592	850	250	870	190	22	180	1	285	326
	6	C	A02C6C	3000	3000	280	930	455	592	850	250	870	190	22	180	1	285	361
			A02C7A	3000	4000	280	930	455	572	850	250	870	190	22	180	1	285	389
			A02C7B	3500	3500	280	930	455	592	850	250	870	190	22	180	1	285	410
	250	3	B	A01B3A	1000	2000	225	644	200	333	591	200	594	150	15	180	1-2	285-318
A01B3B				1500	1500	225	644	200	333	591	200	594	150	15	180	1-2	285-318	145
4		C	A02C4A	1000	3000	280	930	455	552	850	250	870	190	22	180	1-2	285-318	218
			A02C4C	2000	2000	280	930	455	592	850	250	870	190	22	180	1-2	285-318	258
5		C	A02C5A	2000	3000	280	930	455	552	850	250	870	190	22	180	1-2	285-318	295
			A02C5B	2500	2500	280	930	455	552	850	250	870	190	22	180	1-2	285-318	324
			A02D6B	2500	3500	280	930	455	552	850	250	870	190	22	180	1-2	285-318	348
			A02D6C	3000	3000	280	930	455	552	850	250	870	190	22	180	1-2	285-318	380
7	D	A02D7A	3000	4000	280	930	455	552	850	250	870	190	22	180	1-2	285-318	405	
		A02D7B	3500	3500	280	930	455	552	850	250	870	190	22	180	1-2	285-318	432	
500	3	C	A02C3A	1000	2000	280	930	455	592	850	250	870	190	22	180	2	318	182
			A02C3F	1000	2000	280	930	455	592	850	250	870	190	22	190	3	385	182
			A02C3B	1500	1500	280	930	455	592	850	250	870	190	22	180	2	318	215
	4	D	A02C3G	1500	1500	280	930	455	592	850	250	870	190	22	190	3	385	215
			A02D4A	1000	3000	280	930	455	552	850	250	870	190	22	180	2	318	218
			A02D4F	1000	3000	280	930	455	552	850	250	870	190	22	190	3	385	218
	5	D	A02D4C	2000	2000	280	930	455	592	850	250	870	190	22	180	2	318	258
			A02D4H	2000	2000	280	930	455	592	850	250	870	190	22	190	3	385	258
			A02D5A	2000	3000	280	930	455	552	850	250	870	190	22	180	2	318	295
			A02D5F	2000	3000	280	930	455	552	850	250	870	190	22	190	3	385	295
			A02D5B	2500	2500	280	930	455	552	850	250	870	190	22	180	2	318	324
			A02D5G	2500	2500	280	930	455	552	850	250	870	190	22	190	3	385	324
	6	E	A03E6A	2000	4000	315	1240	725	780	1118	300	1160	220	34	180	2	318	518
			A03E6F	2000	4000	315	1240	725	780	1118	300	1160	220	34	190	3	385	518
			A03E6C	3000	3000	315	1240	725	820	1118	300	1160	220	34	180	2	318	575
			A03E6H	3000	3000	315	1240	725	820	1118	300	1160	220	34	190	3	385	575
			A03E7A	3000	4000	315	1240	725	780	1118	300	1160	220	34	180	2	318	633
			A03E7F	3000	4000	315	1240	725	780	1118	300	1160	220	34	190	3	385	633
	7	E	A03E7B	3500	3500	315	1240	725	780	1118	300	1160	220	34	180	2	318	683
			A03E7G	3500	3500	315	1240	725	780	1118	300	1160	220	34	190	3	385	683