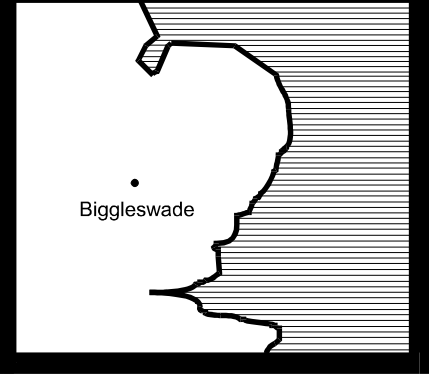


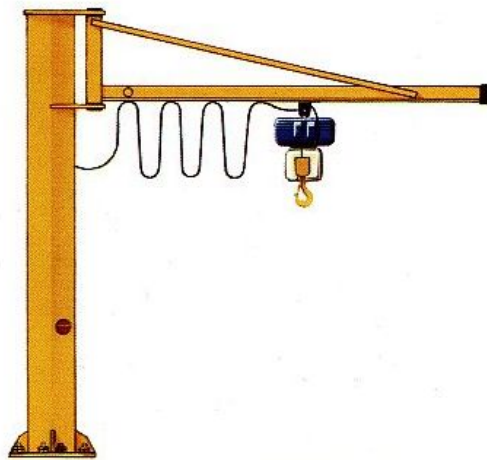
Anglia Handling Services Ltd.

Montgomery Way
Stratton Business Park
Biggleswade
Bedfordshire
SG18 8QB

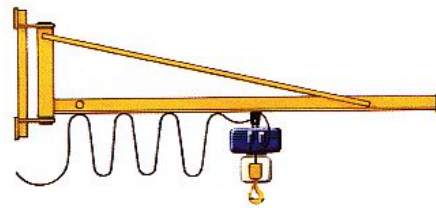
Tel: +44 (0) 1767 312125
Fax: +44 (0) 1767 601375
sales@angliahandling.co.uk
www.angliahandling.co.uk



OVER BRACED JIB CRANES



Post Mounted



Column Mounted

The most common jib crane design offering a very cost effective lifting solution and available with 2 mounting options:

1. Post Mounted 300° Slew – supplied with its own post and base plate
2. Column Mounted 270° Slew – fixed to a suitable building column

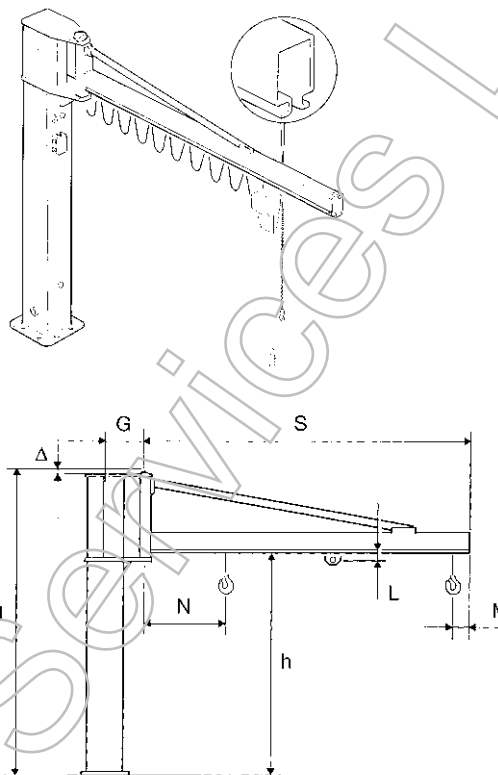
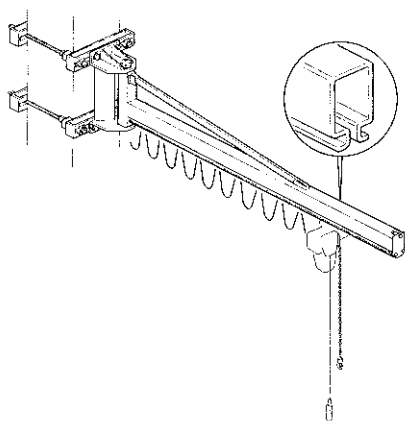
The jib arm can be made from a track section with an integral hand pushed trolley or from a universal beam offering the option of a hand geared or powered trolley.

Safe Working Load (kg)	Arm Radius (m)					
	2	3	4	5	6	7
63						
125						
250						
500						
1000						

Directors:
A.Jefferies
K.J.Logue
D.Elleman



Registered in England No. 1545263
Vat Registration: 335 2809 59



Wall-mounted jib crane – Rotation 270°

Column-mounted jib crane – Rotation 300°

Heights M* and N* for wall-mounted jib cranes: See corresponding heights relative to column-mounted jib cranes

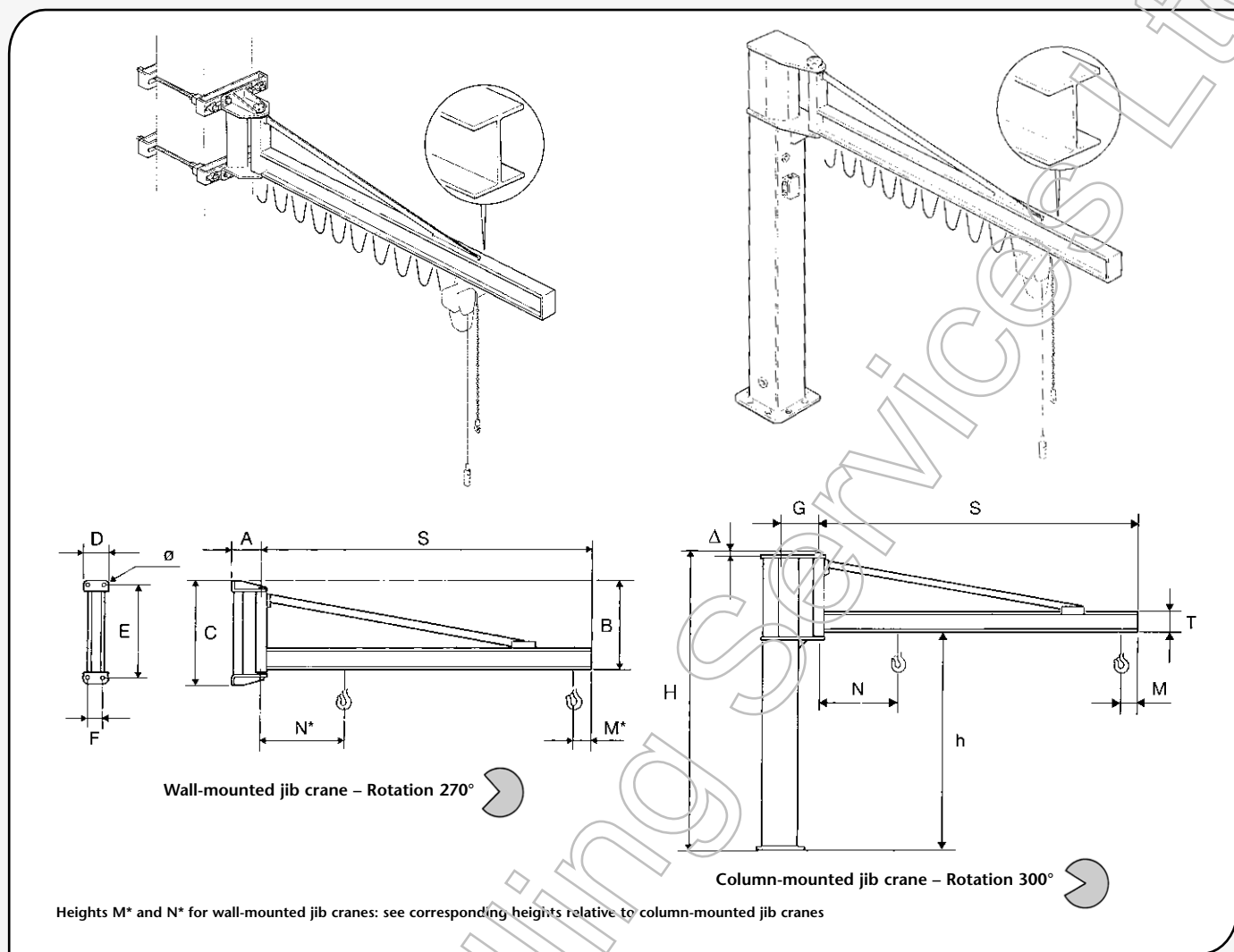
Lifting capacity	Arm S		Size of jib crane	
	Nominal	True Length	Bracket	Column
kg	m	mm		
63	4	4056	A R	
	5	5056	A R	
	6	6056	B S	
	7	7056	B S	
125	2	2056	A R	
	3	3056	A R	
	4	4056	B S	
	5	5056	B S	
	6	6066	C T	
	7	7066	C T	
	250	2	2056	B S
3		3056	B S	
4		4066	C T	
5		5066	C T	
6		6066	D U	
7		7066	D U	
500		2	2066	C T
	3	3066	C T	
	4	4066	D U	
	5	5066	D U	
	6	6076	E V	
	7	7076	E V	
	1000	2	2066	D U
3		3066	D U	
4		4076	E V	
5		5076	E V	
6		6076	F Z	
7		7076	F Z	

GBP series wall-mounted jib cranes - C version

Type	Overall dimensions (mm)								weight of crane
	A	B	C	D	E	F	Ø	kg	
C01A40	170	552	644	200	594	150	15	74	
C01A50	170	552	644	200	594	150	15	87	
C01B60	170	552	644	200	594	150	15	100	
C01B70	170	552	644	200	594	150	15	113	
C01A20	170	552	644	200	594	150	15	48	
C01A30	170	552	644	200	594	150	15	61	
C01B40	170	552	644	200	594	150	15	74	
C01B50	170	552	644	200	594	150	15	87	
C02C60	210	820	930	250	870	190	22	135	
C02C70	210	820	930	250	870	190	22	150	
C01B20	170	552	644	200	594	150	15	48	
C01B30	170	552	644	200	594	150	15	61	
C02C40	210	820	930	250	870	190	22	105	
C02C50	210	820	930	250	870	190	22	120	
C02D60	210	820	930	250	870	190	22	202	
C02D70	210	820	930	250	870	190	22	228	
C02C20	210	820	930	250	870	190	22	75	
C02C30	210	820	930	250	870	190	22	90	
C02D40	210	820	930	250	870	190	22	113	
C02D50	210	820	930	250	870	190	22	129	
C03E60	255	1100	1240	300	1160	220	34	270	
C03E70	255	1100	1240	300	1160	220	34	300	
C02D20	210	820	930	250	870	190	22	93	
C02D30	210	820	930	250	870	190	22	163	
C03E40	255	1100	1240	300	1160	220	34	212	
C03E50	255	1100	1240	300	1160	220	34	241	
C03F60	255	1100	1240	300	1160	220	34	298	
C03F70	255	1100	1240	300	1160	220	34	331	

GBA series column-mounted jib crane – C version

Type	Overall dimensions (mm)							Weight	
	base max.	Total Height H	Under beam h	G	L	M	N	Δ	Crane kg
3 5 C30R40	2496	228	34	140	585	12	127	18.2	
3 5 C30R50	2496	228	34	140	645	12	140	18.2	
3 5 C30S60	2496	274	34	140	705	12	175	22.8	
3 5 C30S70	2496	274	34	140	765	12	188	22.8	
3 5 C30R20	2496	228	34	140	525	12	101	18.2	
3 5 C30R30	2496	228	34	140	585	12	114	18.2	
3 5 C30S40	2496	274	34	140	585	12	149	22.8	
3 5 C30S50	2496	274	34	140	645	12	162	22.8	
3.5 5.5 C35T60	2738	323	34	140	785	17	260	35	
3.5 5.5 C35T70	2738	323	34	140	845	17	275	35	
3 5 C30S20	2496	274	34	140	525	12	123	22.8	
3 5 C30S30	2496	274	34	140	585	12	136	22.8	
3.5 5.5 C35T40	2738	323	34	140	665	17	230	35	
3.5 5.5 C35T50	2738	323	34	140	725	17	245	35	
3.5 5.5 C35U60	2738	386	43	156	820	17	376	43.5	
3.5 5.5 C35U70	2738	386	43	156	880	17	402	43.5	
3.5 5.5 C35T20	2738	323	34	265	730	17	200	35	
3.5 5.5 C35T30	2738	323	34	265	790	17	215	35	
3.5 5.5 C35U40	2738	386	43	265	820	17	287	43.5	
3.5 5.5 C35U50	2738	386	43	265	880	17	303	43.5	
4 6 C40V60	2980	443	43	156	880	20	567	64	
4 6 C40V70	2980	443	43	156	940	20	597	64	
3.5 5.5 C35U20	2738	386	60	306	790	17	267	43.5	
3.5 5.5 C35U30	2738	386	60	306	850	17	337	43.5	
4 6 C40V40	2980	443	60	306	910	20	509	64	
4 6 C40V50	2980	443	60	306	970	20	538	64	
4 6 C40Z60	2980	513	60	306	1100	20	680	75.2	
4 6 C40Z70	2980	513	60	306	1160	20	713	75.2	

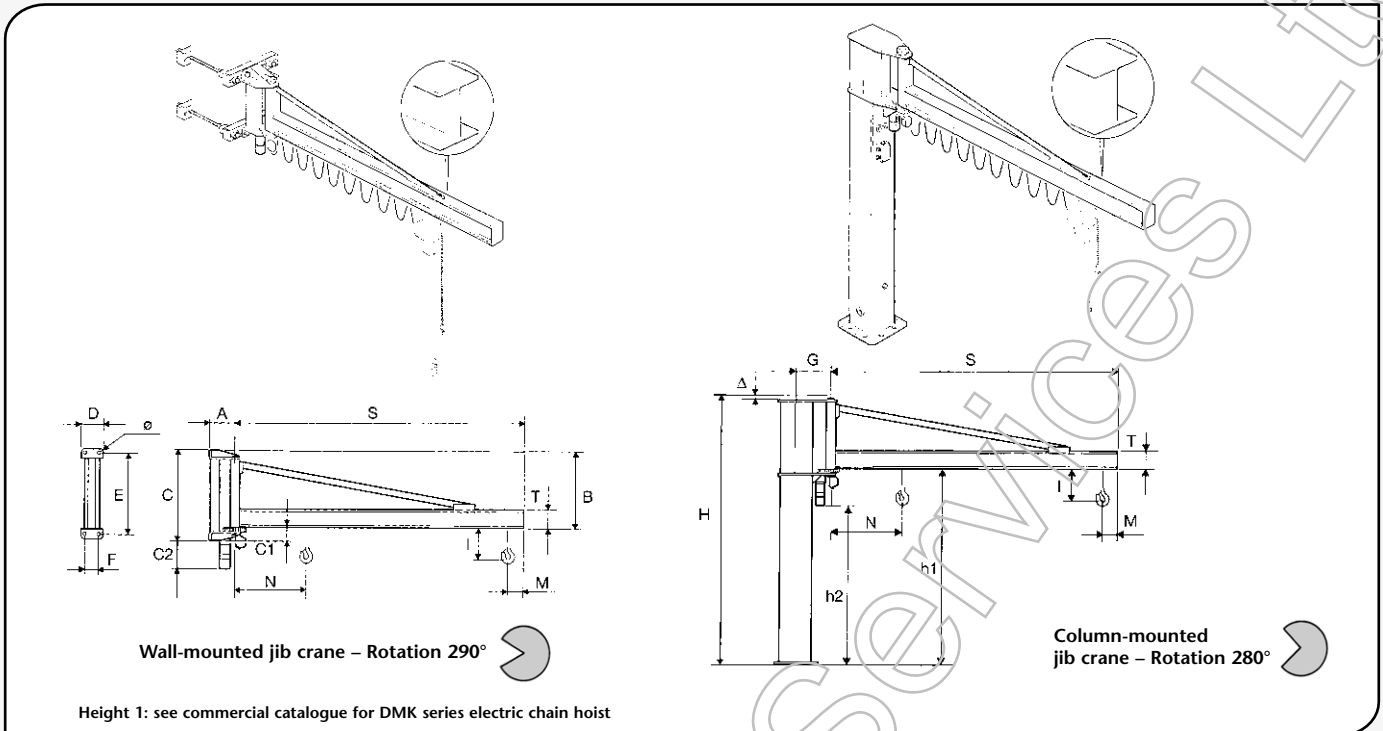


Lifting capacity	Arm		Size of jib crane
	kg	m	
125	6	C	T
	7	C	T
	8	D	U
250	4	C	T
	5	C	T
	6	D	U
	7	D	U
500	4	D	U
	5	D	U
	6	E	V
	7	E	V
1000	4	E	V
	5	F	Z
	6	F	Z
	7	F	Z
	8	F	Z
1500	6	F	Z
2000	4	F	Z
	5	F	Z

GBP series wall-mounted jib crane - H version									
Type	Overall dimensions (mm)								Weight of crane
	A	B	C	D	E	F	Ø	kg	
H02C60	210	820	930	250	870	190	22	160	
H02C70	210	820	930	250	870	190	22	180	
H02D80	210	820	930	250	870	190	22	251	
H02C40	210	820	930	250	870	190	22	122	
H02C50	210	820	930	250	870	190	22	141	
H02D60	210	820	930	250	870	190	22	200	
H02D70	210	820	930	250	870	190	22	226	
H03E80	255	1100	1240	300	1160	220	34	303	
H02D40	210	820	930	250	870	190	22	149	
H02D50	210	820	930	250	870	190	22	175	
H03E60	255	1100	1240	300	1160	220	34	262	
H03E70	255	1100	1240	300	1160	220	34	293	
H03F80	255	1100	1240	300	1160	220	34	389	
H03E40	255	1100	1240	300	1160	220	34	200	
H03E50	255	1100	1240	300	1160	220	34	231	
H03F60	255	1100	1240	300	1160	220	34	312	
H03F70	255	1100	1240	300	1160	220	34	351	
H03F85	255	1100	1240	300	1160	220	34	430	
H03F67	255	1100	1240	300	1160	220	34	312	
H03F40	255	1100	1240	300	1160	220	34	233	
H03F50	255	1100	1240	300	1160	220	34	272	

GBA series column-mounted jib crane - H version												
Total Height	Overall dimensions (mm)							Weight				
	base	max.	Type	Under beam	h	G	M	N	T	Δ	Crane	Column by m
m	m										kg	kg
3.5	5.5	H35T60	2738	323	190	900	160	17	285	35		
3.5	5.5	H35T70	2738	323	190	960	160	17	305	35		
3.5	5.5	H35U80	2738	386	190	1070	200	17	425	43.5		
3.5	5.5	H35T40	2738	323	190	780	160	17	247	35		
3.5	5.5	H35T50	2738	323	190	840	160	17	266	35		
3.5	5.5	H35U60	2738	386	190	950	200	17	374	43.5		
3.5	5.5	H35U70	2738	386	190	1010	200	17	400	43.5		
4	6	H40V80	2980	443	190	1140	200	20	620	64		
3.5	5.5	H35U40	2738	386	190	830	200	17	323	43.5		
3.5	5.5	H35U50	2738	386	190	890	200	17	349	43.5		
4	6	H40V60	2980	443	190	1020	200	20	559	64		
4	6	H40V70	2980	443	190	1080	200	20	590	64		
4	6	H40Z80	2980	513	190	1140	240	20	771	75.2		
4	6	H40V40	2980	443	190	900	200	20	497	64		
4	6	H40V50	2980	443	190	960	200	20	528	64		
4	6	H40Z60	2980	513	190	1020	240	20	694	75.2		
4	6	H40Z70	2980	513	190	1080	240	20	733	75.2		
4	6	H40Z85	2980	513	190	1140	152	20	812	75.2		
4	6	H40Z67	2980	513	210	1040	240	20	694	75.2		
4	6	H40Z40	2980	513	210	920	240	20	615	75.2		
4	6	H40Z50	2980	513	210	980	240	20	654	75.2		

MBE/CBE SERIES JIB CRANES – H VERSION – MOTORISED ARM OVERBRACED VERSION



Lifting capacity kg	Arm S m	Size of jib crane	MBE series wall-mounted jib crane - H Version – Motorised arm overbraced version														Speed of arm n° of revolution/peripheric r.p.m. / m/min	Motor power kw	Weight of crane kg
			Overall dimensions (mm)																
			Type	A	B	C	C1	C2	D	E	F	Ø	M	N	T				
250	6	D	EH02D60	340	778	930	152	378	250	870	190	22	190	1080	200	0.6	23	0.4	258
	7	D	EH02D70	340	778	930	152	378	250	870	190	22	190	1200	152	0.6	26	0.4	340
	8	E	EH03E80	365	1058	1240	182	348	300	1160	220	34	190	1210	152	0.6	30	0.4	497
500	4	D	EH02D40	340	778	930	152	378	250	870	190	22	190	960	200	1	25	0.4	207
	5	D	EH02D50	340	778	930	152	378	250	870	190	22	190	1020	200	0.8	25	0.4	233
	6	E	EH03E60	365	1058	1240	182	348	300	1160	220	34	190	1090	200	0.6	23	0.4	334
	7	F	EH03E70	365	1058	1240	182	348	300	1160	220	34	190	1210	152	0.6	26	0.4	451
	8	F	EH03F80	365	1058	1240	182	348	300	1160	220	34	190	1210	152	0.6	30	0.4	497
1000	4	E	EH03E40	365	1058	1240	182	348	300	1160	220	34	190	970	200	1	25	0.4	272
	5	F	EH03E50	365	1058	1240	182	348	300	1160	220	34	190	1030	200	0.8	25	0.4	304
	6	F	EH03F60	365	1058	1240	182	348	300	1160	220	34	190	1090	240	0.6	23	0.4	384
	7	F	EH03F70	365	1058	1240	182	348	300	1160	220	34	190	1210	152	0.6	26	0.4	451
	8	F	EH03F85	365	1058	1240	182	348	300	1160	220	34	190	1210	152	0.6	30	0.4	497
1600	6	F	EH03F67	365	1058	1240	182	348	300	1160	220	34	210	1170	152	0.6	23	0.4	420
2000	4	F	EH03F40	365	1058	1240	182	348	300	1160	220	34	210	990	240	0.8	20	0.4	306
	5	F	EH03F50	365	1058	1240	182	348	300	1160	220	34	210	1050	240	0.6	20	0.4	344

Lifting capacity kg	Arm S m	Size of jib crane	Total height H m	CBE column-mounted jib cranes – H version - Motorised arm overbraced version										Speed of arm n° of revolution / Peripheric r.p.m. / m/min	Motor power kw	Weight	
				base	max.	Type	Under beam h1	h2	G	M	N	T	Δ			Crane kg	Column by m kg
250	6	U	3.5	5.5	EH35U60	2780	2250	436	190	1080	200	17	0.6	23	0.4	420	43.5
	7	U		5.5	EH35U70	2780	2250	436	190	1200	152	17	0.6	26	0.4	507	43.5
	8	V		4	EH40V80	3022	2492	463	190	1210	152	20	0.6	30	0.4	765	64
500	4	U	3.5	5.5	EH35U40	2780	2250	436	190	960	200	17	1	25	0.4	370	43.5
	5	U		5.5	EH35U50	2780	2250	436	190	1020	200	17	0.8	25	0.4	395	43.5
	6	V		4	EH40V60	3022	2492	463	190	1090	200	20	0.6	23	0.4	600	64
	7	V		4	EH40V70	3022	2492	463	190	1210	152	20	0.6	26	0.4	720	64
	8	Z		4	EH40Z80	3022	2492	513	190	1210	152	20	0.6	30	0.4	850	75.2
1000	4	V	4	6	EH40V40	3022	2492	463	190	970	200	20	1	25	0.4	538	64
	5	V		6	EH40V50	3022	2492	463	190	1030	200	20	0.8	25	0.4	570	64
	6	Z		4	EH40Z60	3022	2492	513	190	1090	240	20	0.6	23	0.4	737	75.2
	7	Z		4	EH40Z70	3022	2492	513	190	1210	152	20	0.6	26	0.4	805	75.2
	8	Z		4	EH40Z85	3022	2492	513	190	1210	152	20	0.6	30	0.4	850	75.2
1600	6	Z	4	6	EH40Z67	3022	2492	513	210	1170	152	20	0.6	23	0.4	767	75.2
2000	4	Z	4	6	EH40Z40	3022	2492	513	210	990	240	20	0.8	20	0.4	660	75.2
	5	Z	4	6	EH40Z50	3022	2492	513	210	1050	240	20	0.6	20	0.4	697	75.2