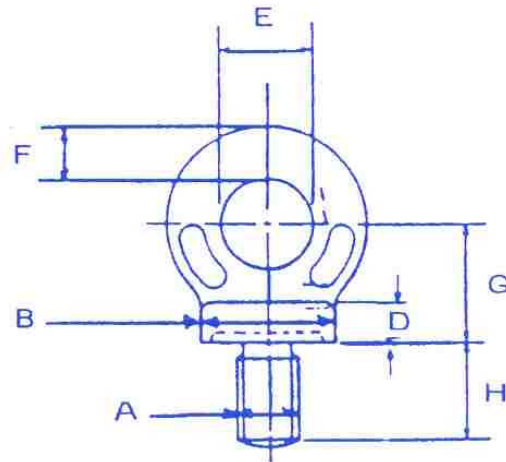


Collared Eyebolts to BS 4278 1984



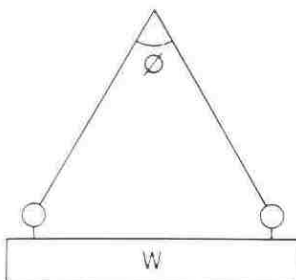
BSW Thread

SWL (KGs)	A (inches)	B (mm)	D (mm)	E (mm)	F (mm)	G (mm)	H (mm)
*100	1/4	22	7	15	9	20	18
*150	5/16	22	7	15	9	20	18
*250	3/8	22	7	15	9	20	18
500	1/2	29	10	20	12	26	23
*900	5/8	36	12	24	14	32	28
1400	3/4	45	14	30	17	40	35
2000	7/8	52	17	35	21	46	40
2750	1	58	20	39	23	52	46
3500	1.1/8	65	22	44	26	58	51
4500	1.1/4	72	24	48	29	64	56
6500	1.1/2	86	29	57	33	76	67
9000	1.3/4	101	34	68	40	90	79
12000	2	115	38	76	46	102	89

Long shank Collared eyebolts are also available.

Other thread sizes are also available.

Maximum recommended safe working loads for Collared eyebolts when used in pairs.



Safe working load (single eyebolt, vertical)	Maximum load 'W' to be lifted by a pair of eyebolts when the angle between the sling legs is θ .		
	$0^\circ < \theta < 30^\circ$	$30^\circ < \theta < 60^\circ$	$60^\circ < \theta < 90^\circ$
Tonne	Tonne	Tonne	Tonne
1.0	1.3	0.8	0.5
1.6	2.0	1.25	0.8
2.5	3.2	2.0	1.25
4.0	5.0	3.2	2.0
6.3	8.0	5.0	3.2
8.0	10.0	6.3	4.0
10.0	12.5	8.0	5.0
12.5	16.0	10.0	6.3
16.0	20.0	12.5	8.0
20.0	25.0	16.0	10.0
25.0	32.0	20.0	12.5
Reduction factor	0.63	0.40	0.25