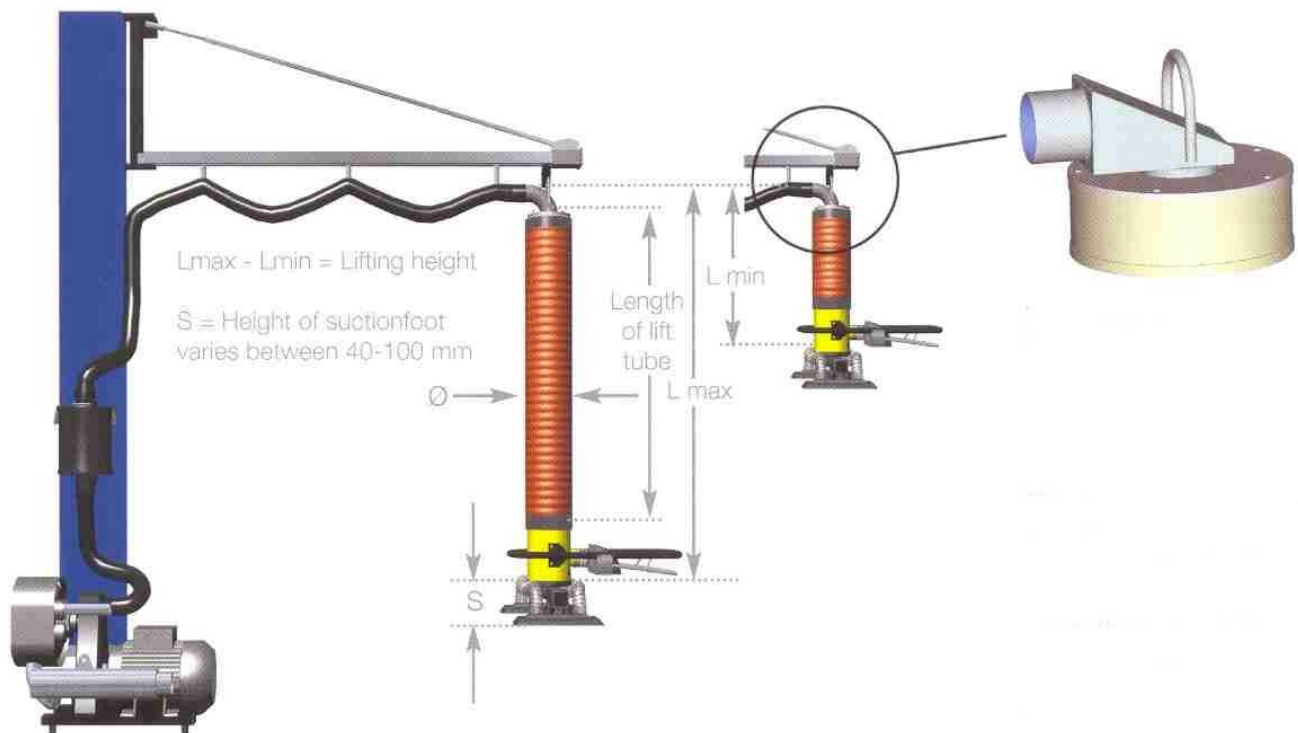


VacuEasylift Vacuum Lifting Hoists

The VacuEasylift is a manually operated powered vacuum lifting device that handles almost any type of load. The extremely smooth and quick operation is accomplished by using the same handle to lift, lower and release the load and by using the same vacuum to hold and lift the load. By supplying the VacuEasylift with a vast variety of suction feet it can be used to lift anything from a cardboard box to a television.

Typical Applications

- Boxes
- Cheese
- Reels
- Paper
- Wood
- Pallets
- Steel
- Televisions
- Windows
- Plastic
- Sacks
- Stone



Specifications

Model	VM80	VM100/120/140		VM160/180		VM200/230		VM250	VM2160/2180		VM300
Lifting cap. kg	20	30/40/50		60/80		100/120		180	120/160		270
Length of lift tube	2000	2500	4000	2500	4000	2500	4000	2500	2500	4000	2500
Ø mm	80	100/120/140		160/180		200/230		250	2x160/2x180		300
L max.	2240	2670	4170	2690	4190	2690	4190	2690	2630	4130	2690
L min.	740	870	1570	890	1590	990	1790	1190	830	1530	1190
Lifting height	1500	1800	2600	1800	2600	1700	2400	1500	1800	2600	1500
Extended, flexible handle	N/A	Flexed extensions up to 800+800 mm standard		Flexed extensions up to 800+800 mm standard		Flexed extensions up to 800+800 mm standard		N/A	Available on request		N/A

Optional Extras include a bottom swivel, quick release couplings, a 90 degree angle adaptor, white non marking suction pads, stainless steel fittings etc.