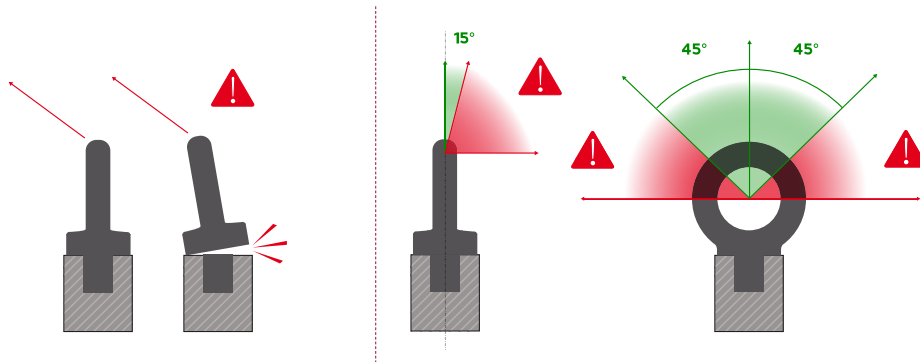


FIXED OR SWIVEL EYE BOLT ?

Traditional fixed eye bolts (also known as DIN 580 rings) are intended for straight lifting: at a 0° angle to the direction of pulling. They are strictly prohibited for perpendicular lifting: at a 90° angle to the direction of pulling.



Swivel lifting rings are specially designed for turning loads.

CODIPRO rings can be used in any kind of hoisting situation whether there is an angle or for a straight lift, and/or for all types of anchoring.

The design of CODIPRO swivel rings allows pulling from any angle and to rotate safely under load. Painted in orange (RAL 2002), the color is a sign for safety. The indelible engravings of CODIPRO rings state:

- > The compliance to EC directives;
- > GRADUP steel quality;
- > The recommended tightening torque;
- > The manufacturer brand;
- > Traceability marks of each component (blacksmith + batch number);
- > The thread diameter;
- > The WLL;
- > And... an **individual traceability number**.

Each ring is packed in a bag including its individual certificate of conformity and use recommendations.

It is recommended to use lifting rings with bolts that are firmly connected to the whole system; this eliminates the risk of replacing it with an unsuitable one.

	FIXED eye bolt	SWIVEL lifting ring
Straight lift	✓	✓
90° lift	✗	✓
Automatic alignment of the shackle	✗	✓
Rotation under load	✗	✓
High WLL	✗	✓
Individual traceability	✗	✓