

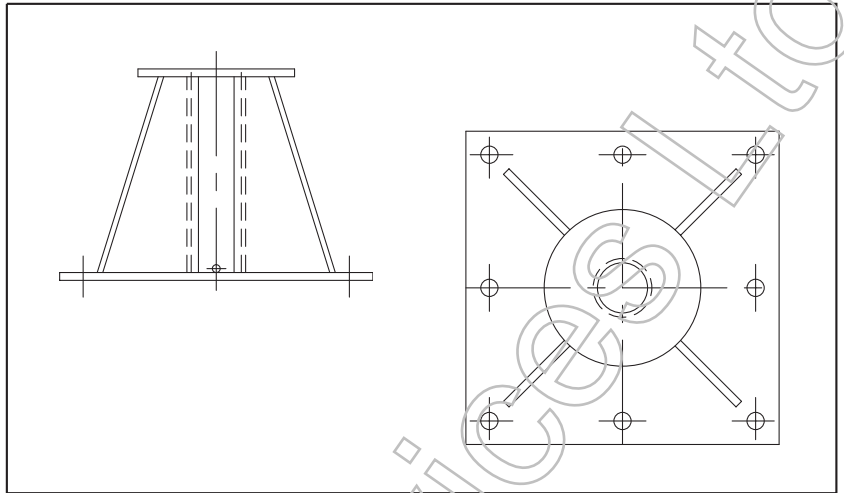
DAVIT SOCKETS

The products of Anglia Handling Services Ltd are first choice for Specifiers and Engineers worldwide. Our davit sockets are used extensively in the chemical and water treatment and offshore industries. We have a wealth of experience in the development of all types of individual davit and socket design in the water and chemical industries.

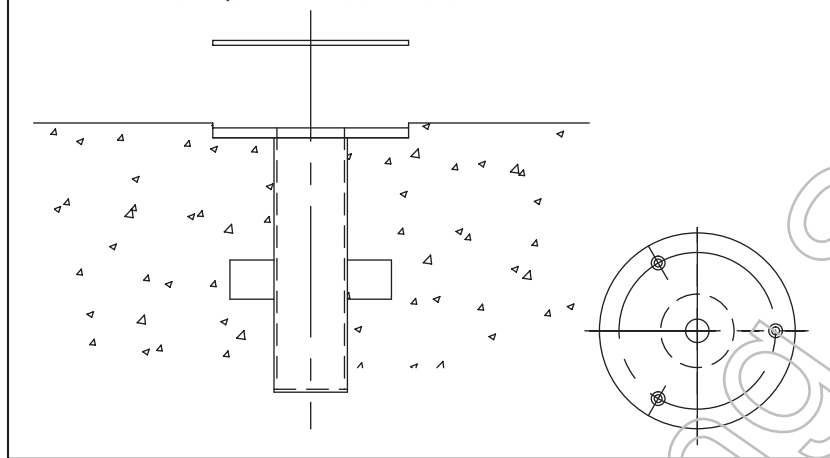
BOLT-DOWN SURFACE MOUNTED SOCKET

Available in 1000KG and 500KG ratings for use on flat surfaces. Cover plate can be supplied if required. Surface protection hot dip galvanised to BS1461 as standard. Stainless steel 304/316 material can be supplied/manufactured.

GENERAL ARRANGEMENT OF SURFACE MOUNTED SOCKET 500KG SWL COMPLETE WITH COVER PLATE



CHEQUER PLATE COVER LOCATED WITH FASTENERS



SOCKET AVAILABLE

500kg and 1000kg WWL supplied with fitted cover plate if requested.

GROUT-IN SOCKET (WITH COVER PLATE)

This type of socket is fitted when a flush non-trip hazard installation is required. A cover plate is fitted as standard, secured with 3 x 8mm fasteners. Surface protection hot dip galvanised to BS1461 as standard. Stainless Steel 304/316 can be supplied/manufactured.

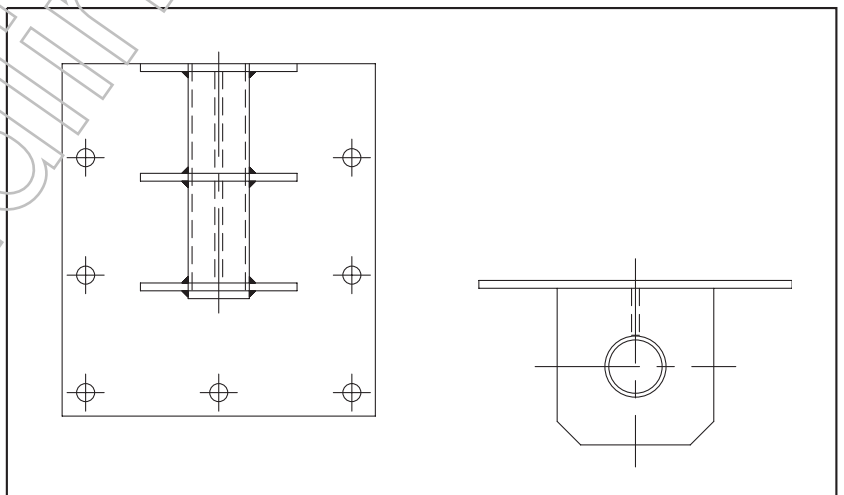
GENERAL ARRANGEMENT OF CAST-IN DAVIT SOCKET 500KG SWL.

With the presence of ever increasing locations on site, where davit lifting solutions are required, the design of the davit socket is paramount.

WALL-TYPE SOCKETS

Vertical installation to suit 500KG and 1000KG davits. Hot dip galvanised to BS1461. In our product range we offer back plates and tiebars to accompany the wall-type sockets for use on a brick wall. We also offer these items in stainless steel 304/316.

GENERAL ARRANGEMENT OF SIDE WALL MOUNTED DAVIT SOCKET 1000KG SWL.



INVERTED DAVIT SOCKET

Widely used in steel walkways where a flush installation is required to eliminate trip hazards. This type of socket can be mounted flush within open mesh flooring section. Manufactured to suit the 500KG and 1000KG davit pins. Surface finish hot dip galvanised to BS1461. This type of socket can be supplied in 304/316 stainless steel.

GENERAL ARRANGEMENT OF INVERTED DAVIT SOCKET 500KG SWL.

