

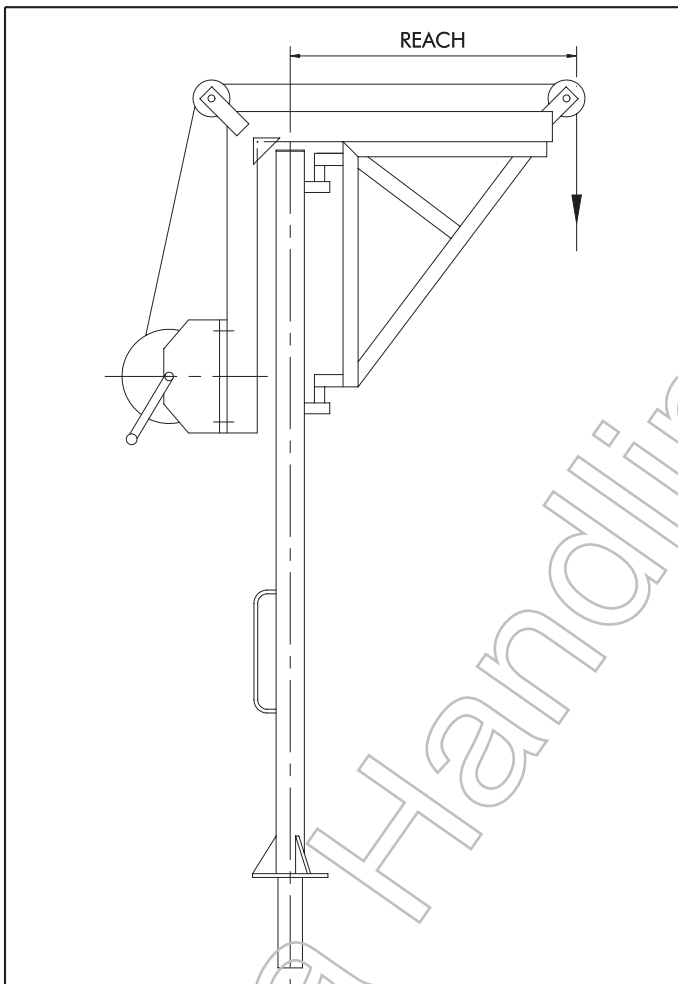
VERTICAL POLE DAVIT

Vertical pole davits are ideally suited for use within restricted areas, side of hand railing and locations where cable trays, pipework and other obstacles are in close proximity.

We can manufacture to suit individual requirements. The vertical pole section of the davit can be specified in one piece or split. The split column greatly assists in the movement of the davit around the site. If the davit is to be left in position, the single pole is more favourable with no individual sections.

We can accommodate different reach and height to suit the majority of site installations. Even winches can be fitted, particularly in the longer reach where fitting a hand chain block would be prohibitive in leaning out to control the hand chain block.

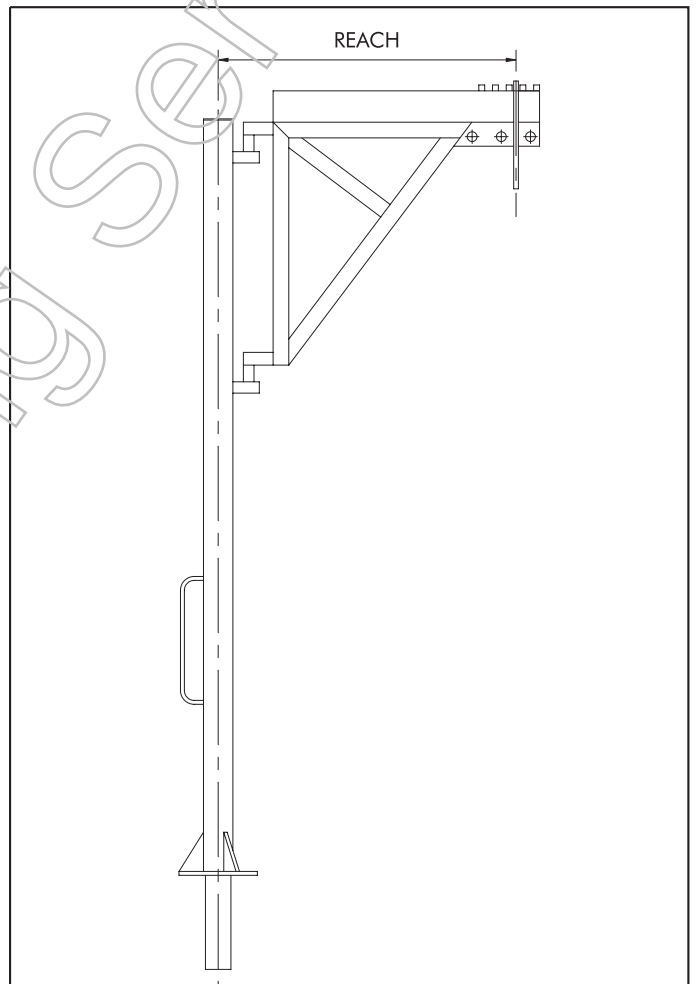
The vertical pole davit employs the same pin sizes as our standard davit so it is interchangeable with other sockets.



GENERAL OUTLINE OF DAVIT WITH WINCH AVAILABLE IN 500 AND 1000KG SWL. PLEASE ENQUIRE FOR STANDARD ITEMS AND INDIVIDUAL REQUIREMENTS.

STAINLESS STEEL SHEAVE WHEELS

Fitted as standard with stainless steel wire rope.



VERTICAL SPLIT POLE DAVIT 500KG SWL AND 1000KG SWL

270° slew. Hot dip galvanised finish. If this is not suitable for your requirements, please phone us and we will be happy to discuss in detail what you require.

To reduce the components weight aluminium jib section can be supplied. This davit can be adapted for using with manriding hand winch and fall arrestor anchor points.