

The Original Easy Mover. World Leader in Material Handling for over 20 Years



Rollers

Moves circular objects with a diameter of at least 60 cm. For example paper rolls, vehicles and cable reels.



The Easy Mover technique is based on a simple single hand operated equipment, which handles heavy loads/objects by using the weight of the moved object. The Easy Mover is pneumatic, which brings a smooth variable adjustment making it virtually impossible to overload. The Easy Mover is also non-polluting – quiet – clean – easy to operate and easy to install. The standard models are found here.

easy mover® Rollers

Model	Application	Capacity	Unit Weight	Force Applied	Maximum Speed	Air Pressure	Air Volume
P 350B	Paper rolls	< 10 ton	14 kg	300 kp	23 m/min	6 bar	650 l/min
P 1250B	Paper rolls	< 20 ton	20 kg	1200 kp	25 m/min	6 bar	1200 l/min
V 350B	Vehicles	< 15 ton	14 kg	300 kp	23 m/min	6 bar	650 l/min
V 1250B	Vehicles	< 25 ton	20 kg	1200 kp	25 m/min	6 bar	1200 l/min
F 1500A	Aircraft	< 25 ton	19 kg	1500 kp	17 m/min	6 bar	1200 l/min
C 1500A	Cable	< 50 ton	24 kg	1500 kp	15 m/min	6 bar	1200 l/min
CF 1500A	Cable	< 50 ton	26 kg	1500 kp	15 m/min	6 bar	1200 l/min

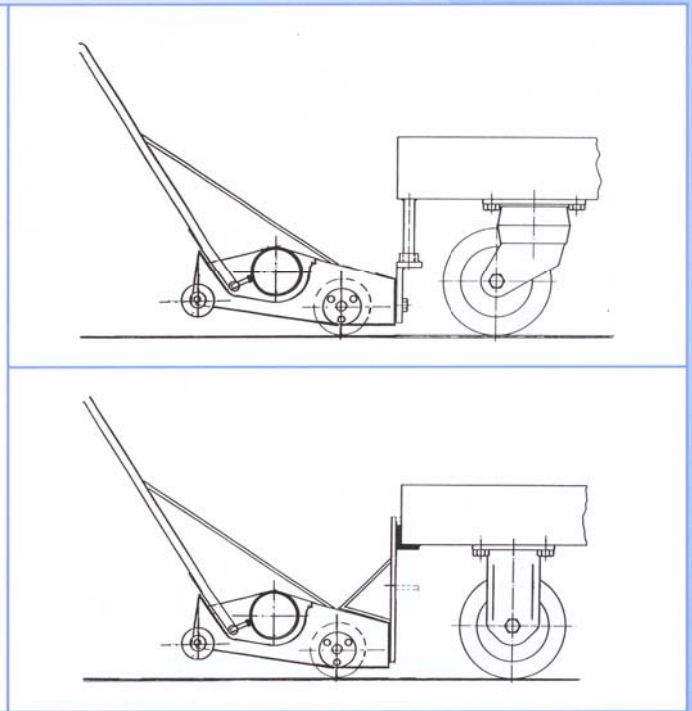
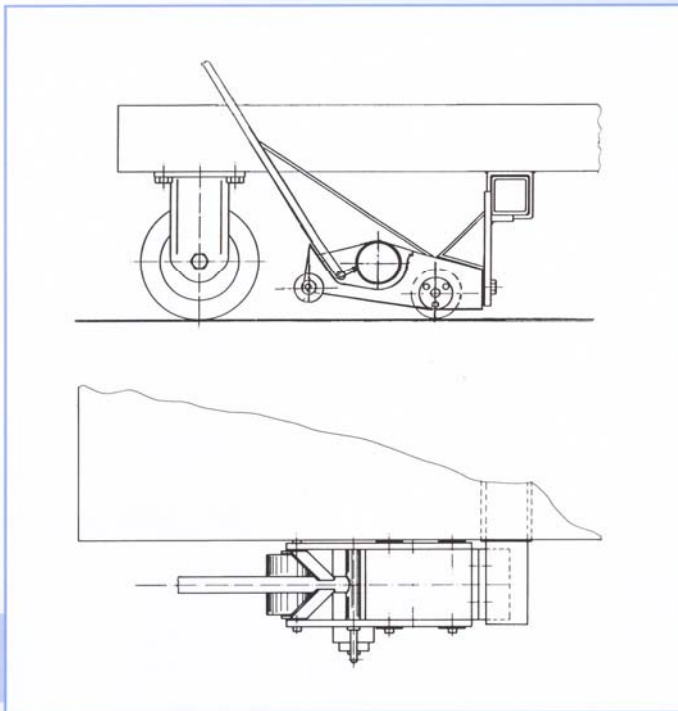
All machines can be customized to suit your requirements, send us the type of application you need, and we will endeavour to help!

Widths, gearing, pickup and anchorage points are available in different designs.

The 1250 and 1500 machines can be equipped with a heavy duty motor with 33% higher torque.

easy mover[®] *The Original*

Easy Mover pushers are ideal for moving machines, coach and lorry chassis or any type of fixtures on wheels or casters.



easy mover[®] Pushers

Model	Application	Capacity	Unit Weight	Force Applied	Maximum Speed	Air Pressure	Air Volume
A 550	Wagons	< 15 ton	18 kg	300 kp	23 m/min	6 bar	650 l/min
A 1240	Wagons	< 30 ton	20 kg	1200 kp	25 m/min	6 bar	1200 l/min
AR 550*	Wagons	< 15 ton	18 kg	500 kp	20 m/min	6 bar	1000 l/min
AR 1240*	Wagons	< 25 ton	20 kg	900 kp	17 m/min	6 bar	1200 l/min

* Reversible

All machines can be customized to suit your requirements, send us the type of application you need, and we will endeavour to help!

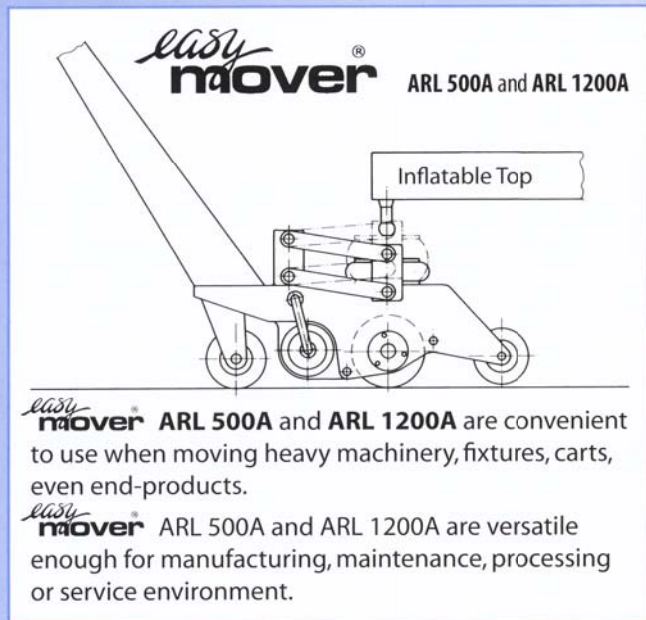
Widths, gearing, pickup and anchorage points are available in different designs.

easy mover®

The Original

The ARL model Easy Mover, has a forward and reverse movement, with dual revolving wheels to provide easy steering, to enable versatile movement of fixtures, machines and wagons.

The Easy Mover has a unique pneumatic bellows anchorage point system for easy adjustable work load coupling.



DRIVE DIRECTION CONTROL

AIR BELLOWS
Up and down

AIR VALVE
provides smooth, variable speed adjustment for precise operator control.

HANDLE HOUSING
safely shields air supply lines and drive direction control.

SUPERSTRUCTURE
is durable, corrosion-resistant Nickel plated steel.

DUAL REVOLVING WHEELS
of durable phenolic material provide easy steering for versatile movements of loads.

AIR MOTOR
High torque forward and reverse movement.

DRIVE ROLLER
features polyurethane material for optimum traction, excellent durability and easier steering.

PUSHARM SOCKET
accepts various male interfacings (ball, pin, rod).

AIR BELLOWS
inflates to link load to mover; downward pressure onto drive roller.

easy mover® Push, pull & manoeuvre

Model	Application	Capacity	Unit Weight	Force Applied	Maximum Speed	Air Pressure	Air Volume
ARL 500A*	Wagons	< 15 ton	30 kg	500 kp	20 m/min	6 bar	1000 l/min
ARL 1200A*	Wagons	< 25 ton	45 kg	900 kp	17 m/min	6 bar	1200 l/min

* Reversible+ lift

Anglia Handling Services Ltd.

Montgomery Way
Stratton Business Park
Biggleswade
Bedfordshire
SG18 8QB

Tel: +44 (0) 1767 312125
Fax: +44 (0) 1767 601375
sales@angliahandling.co.uk
www.angliahandling.co.uk

Biggleswade