

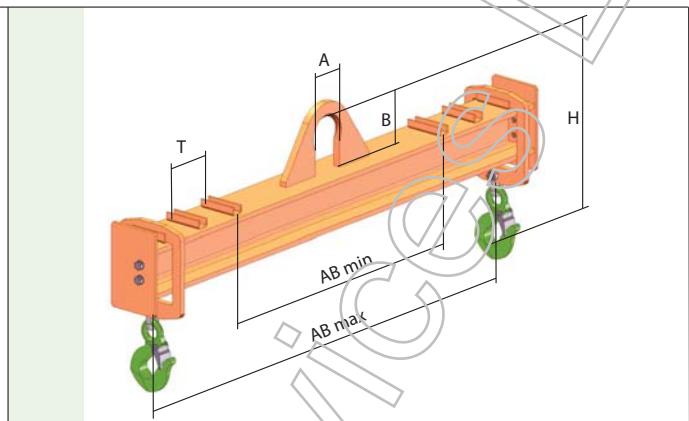
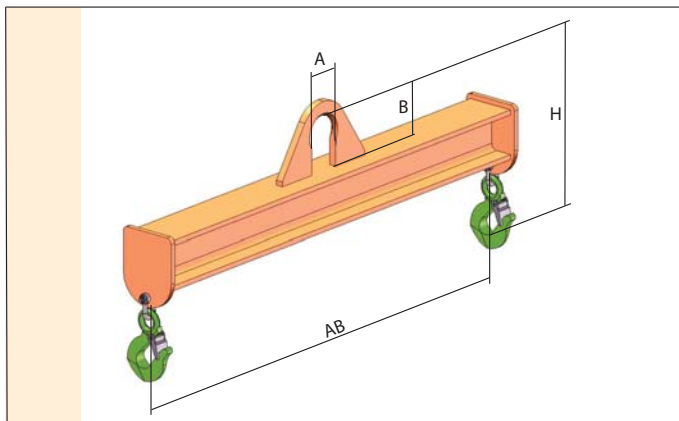


The WIMAG balancer AGT equipped with a hydraulic moveable counterweight for dismantling concrete parts, which cannot be attached directly due to the roof overhang.

- **Lifting beams made from light single section steel**
- **Special custom-made lifting beams for all applications**
- **Construction according to DIN EN 13155 / BGR 500 2.8**

Static Lifting Beams - TS

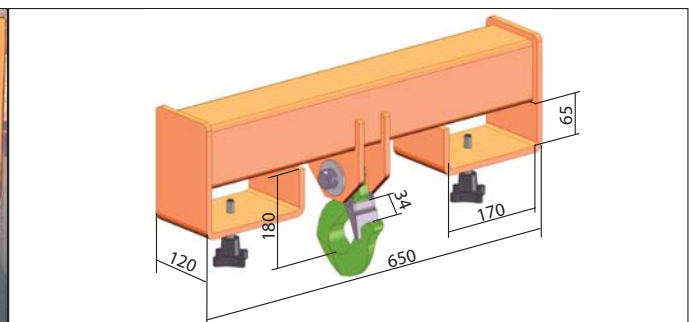
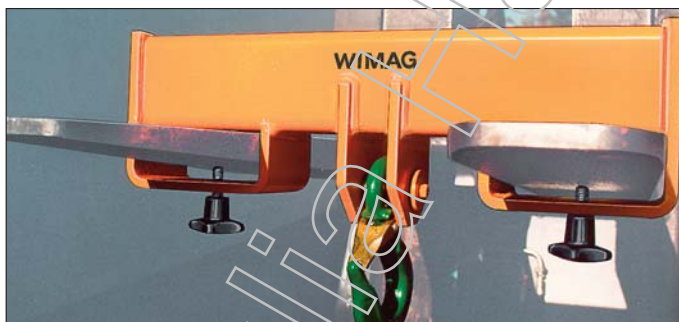
Adjustable Lifting Beams - TV



| Order No. | Model | Safe Working Load kg | Working Width AB min/max mm | Sections T mm | Total Height H mm | Suspension Eye A x B mm | Weight kg |
|-----------|--------|----------------------|-----------------------------|---------------|-------------------|-------------------------|-----------|
| 405 061 | TS 1/2 | 1.000 | 2.000 | | 340 | 70 x 110 | 40 |
| 405 071 | TS 1/3 | 1.000 | 3.000 | | 340 | 70 x 110 | 60 |
| 405 081 | TS 1/5 | 1.000 | 5.000 | | 380 | 70 x 110 | 140 |
| 405 101 | TS 3/2 | 3.000 | 2.000 | | 470 | 90 x 140 | 80 |
| 405 111 | TS 3/3 | 3.000 | 3.000 | | 470 | 90 x 140 | 140 |
| 405 121 | TS 3/5 | 3.000 | 5.000 | | 520 | 90 x 140 | 280 |
| 405 141 | TS 5/2 | 5.000 | 2.000 | | 520 | 90 x 140 | 105 |
| 405 151 | TS 5/3 | 5.000 | 3.000 | | 550 | 90 x 140 | 160 |
| 405 161 | TS 5/5 | 5.000 | 5.000 | | 580 | 90 x 140 | 380 |
| 405 065 | TV 1/2 | 1.000 | 1.000 / 2.000 | 125 | 395 | 70 x 110 | 45 |
| 405 075 | TV 1/3 | 1.000 | 1.000 / 3.000 | 125 | 395 | 70 x 110 | 65 |
| 405 085 | TV 1/5 | 1.000 | 1.000 / 5.000 | 250 | 450 | 70 x 110 | 150 |
| 405 105 | TV 3/2 | 3.000 | 1.000 / 2.000 | 125 | 520 | 90 x 140 | 100 |
| 405 115 | TV 3/3 | 3.000 | 1.000 / 3.000 | 125 | 520 | 90 x 140 | 150 |
| 405 125 | TV 3/5 | 3.000 | 1.000 / 5.000 | 250 | 550 | 90 x 140 | 310 |
| 405 145 | TV 5/2 | 5.000 | 1.000 / 2.000 | 125 | 570 | 90 x 140 | 120 |
| 405 155 | TV 5/3 | 5.000 | 1.000 / 3.000 | 125 | 590 | 90 x 140 | 200 |
| 405 165 | TV 5/5 | 5.000 | 1.000 / 5.000 | 250 | 650 | 90 x 140 | 405 |

Alternative dimensions/safe working loads available on request.

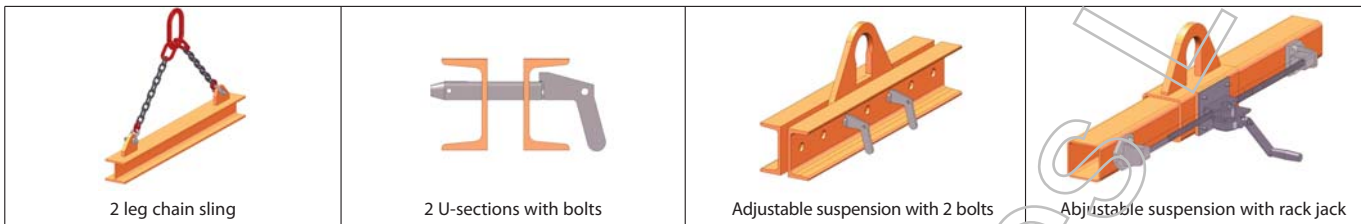
Lifting Beam for Fork Lifts



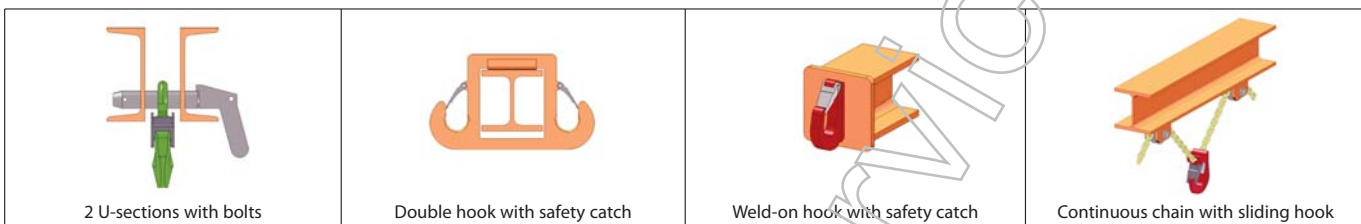
| Order No. | Model | Safe Working Load kg | Weight kg |
|-----------|--------------|----------------------|-----------|
| 405 550 | STS-3,0-0,65 | 3.000 | 22 |

Alternative dimensions/safe working loads available on request.

Suspension



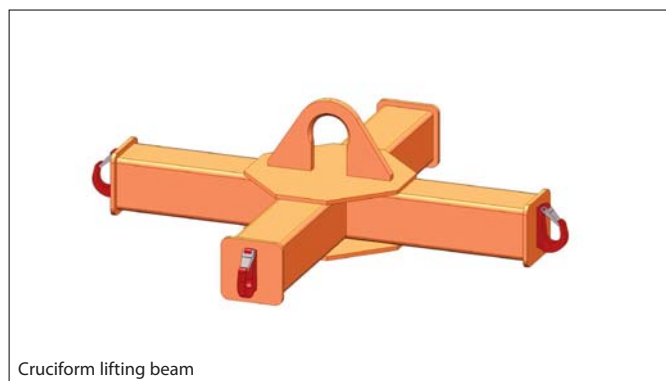
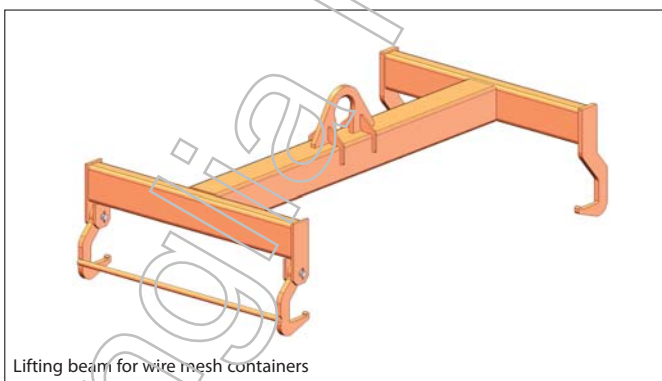
Load Attachment



Special Designs

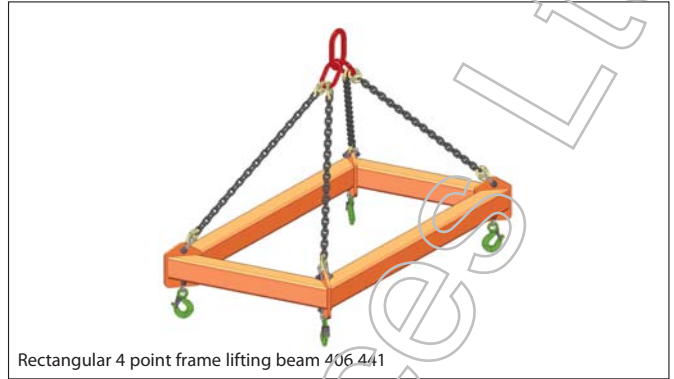


Applications

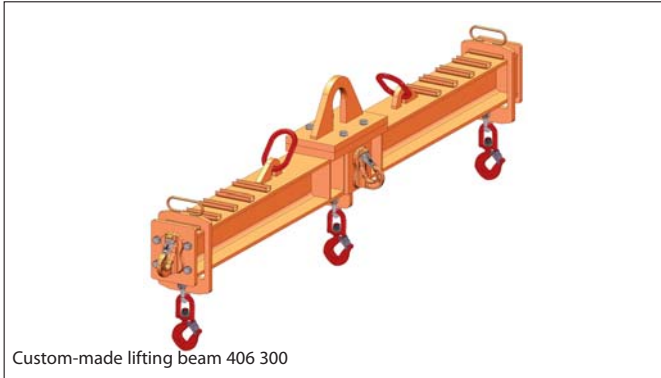




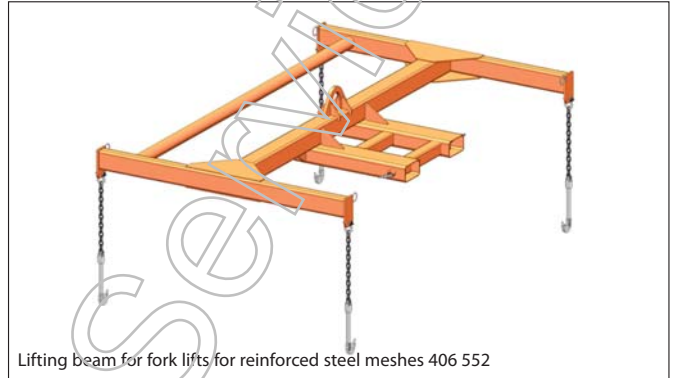
Big bag lifting beam 406 390



Rectangular 4 point frame lifting beam 406 441



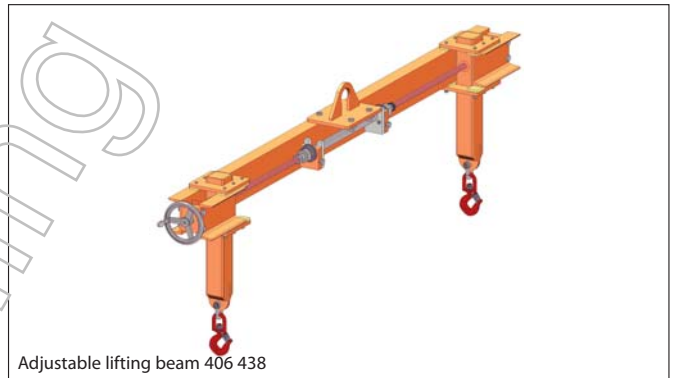
Custom-made lifting beam 406 300



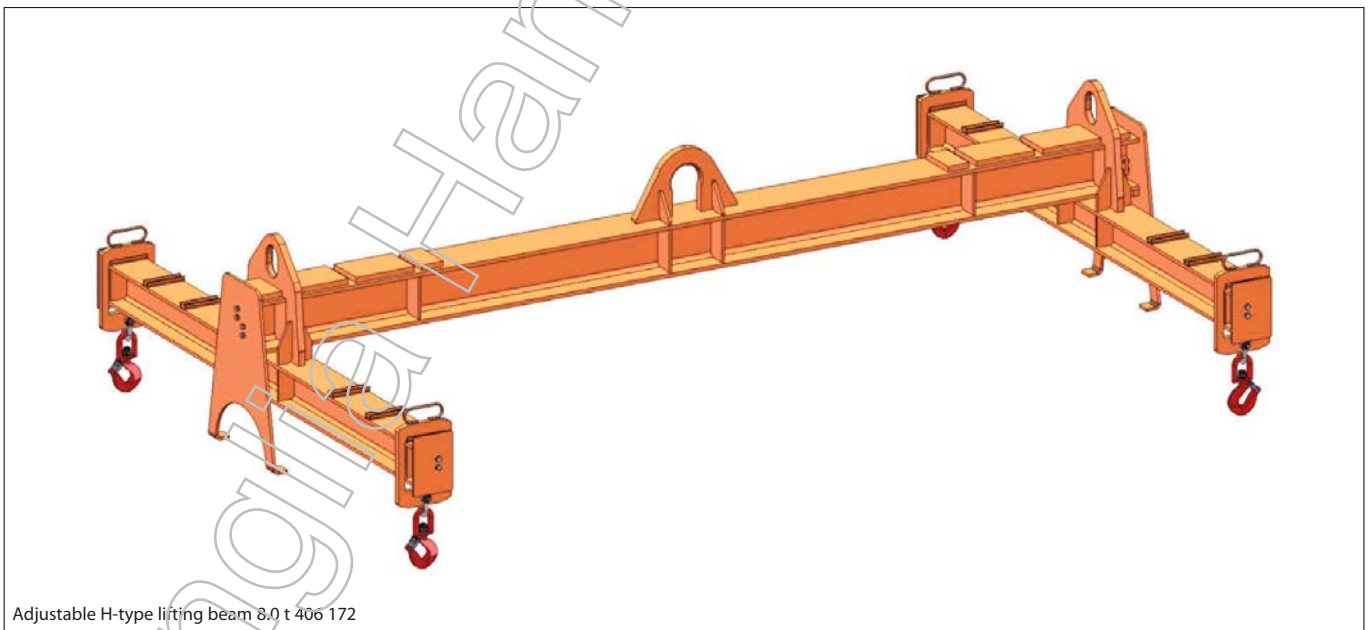
Lifting beam for fork lifts for reinforced steel meshes 406 552



Lifting beam incorporating long hooks 406 261



Adjustable lifting beam 406 438



Adjustable H-type lifting beam 8.0 t 406 172