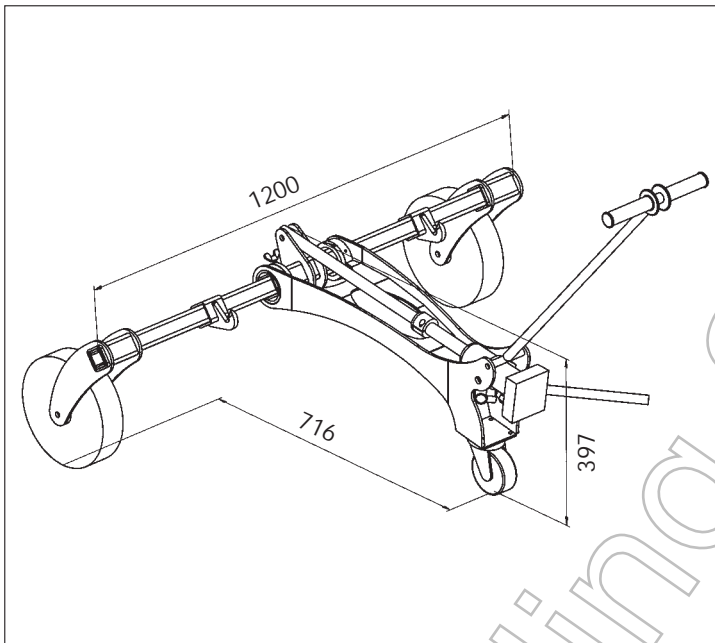


Manhole Cover Lifter



- **No more back injuries.**
- **By means of the hydraulic cylinder also stubborn manhole covers can be lifted with ease.**
- **Can be transported in any car boot.**
- **Easy to dismantle.**
- **Specification:**

Safe working load: 1,000 kg
 Hook distance H min/max: 260 / 980 mm
 Wheel distance R approx. 1,100 mm
 Total width B approx. 1,200 mm



Order No.	Model	Safe Working Load	Lifting Height Approx.	Weight
138 020	KH 1,0			30 kg
138 410	Key A	1,000 kg	250 mm	0.3 kg
138 420	Key B			0.3 kg
138 430	Eye for mail manholes			0.6 kg

The hydraulically operated manhole lifter makes the lifting of manhole covers simply child's play.