

Pneumatic wire rope winch

RPA



Pneumatic wire rope winch model RPA

With 100% duty rating and an unlimited number of starts the model RPA is suitable for heavy duty applications. It is insusceptible to contamination, humidity and aggressive mediums from the outside.

Features

- Robust rotating piston motor with high starting torque, designed for operating pressures 4 to 6 bar.
- Spring pressure disc brake incorporated in the motor holds the load secure even in the event of an air failure.
- Sensitive control by means of direct acting valves in the control switch.
- The conception is in accordance with the design of the model RPE but is not supplied with an emergency stop button.

Optional

- Different drum designs, e.g. extended to accommodate longer rope, machined grooves for exact reeling, with separation web and 2nd rope outlet for working with two ropes, traversing operation.

Technical Data

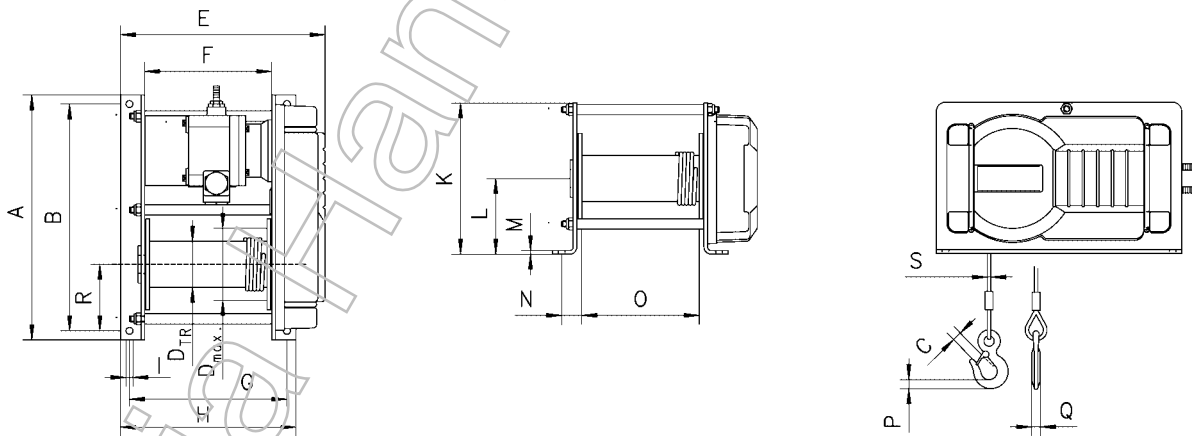
Model	Pulling force in the upper layer daN	Lifting speed with rated load* m/min	Lifting speed without load* m/min	Lowering speed with rated load* m/min	Useable rope length upper layer in m	Weight without rope kg
RPA 2-13	250	12,5	20,0	22,0	54,5	36,7
RPA 5-6	500	6,2	10,0	11,0	38,8	36,7

*Value for 6 bar, air consumption 0,75 m³/Min, motor performance 0,55 kW

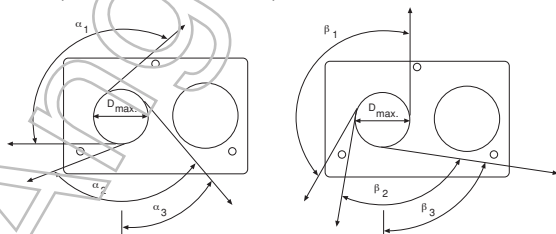
To ensure faultless operation the compressed air supply must be filtered and oiled!

Dimensions RPE/RPA in mm

Dimension	RPE 2-13	RPE 5-6	RPE 5-12	RPE 9-6	RPE 10-6	RPA 2-13	RPA 5-6
A	405	405	405	525	525	405	405
B	375	375	375	485	485	375	375
C	18	18	18	25	25	18	18
D _{TR}	76	76	76	108	108	76	76
D _{max}	104	118	118	148	148	104	118
D _A	150	150	150	180	180	150	150
E	336	336	426	465	465	336	336
F	210	210	300	270	270	210	210
G	260	260	350	345	345	260	260
H	290	290	380	380	380	290	290
I	11	11	11	13	13	11	11
K	250	250	250	340	340	250	250
L	125	125	125	170	170	125	125
M	6	6	6	10	10	6	6
N	33,0	33,0	33,0	47,5	47,5	33,0	33,0
O	194	194	284	250	250	194	194
P	19	19	19	24	24	19	19
Q	13	13	13	19	19	13	13
R	125	125	125	170	170	125	125
S	4	6	6	8	8	4	6
α1	130°	130°	130°	145°	145°	130°	130°
α2	110°	110°	110°	125°	125°	90°	90°
α3	40°	40°	40°	50°	50°	20°	20°
β1	150°	150°	150°	155°	155°	150°	150°
β2	90°	90°	90°	100°	100°	70°	70°
β3	80°	80°	80°	83°	83°	60°	60°



Rope lead-offs for **electric** rope winch RPE



Rope lead-offs for **pneumatic** rope winch RPA

