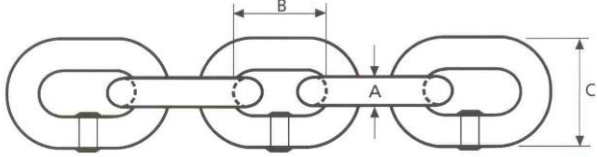


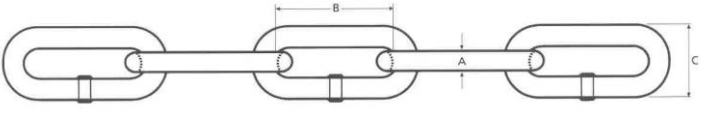
Short Link Chain

Mild steel, commercial quality short link chain. Not to be used for lifting applications!

|  | A (mm) | B (mm) | C (mm) | MBL (kg) | Weight/M (kg) |
|---|-----------|-----------|-----------|-------------|------------------|
| | 5.0 | 19.0 | 17.0 | 1250 | 0.50 |
| 6.0 | 18.5 | 20.0 | 1600 | 0.78 | |
| 8.0 | 24.0 | 28.0 | 3000 | 1.40 | |
| 10.0 | 30.0 | 34.0 | 5000 | 2.20 | |
| 12.0 | 36.0 | 46.0 | 7000 | 3.20 | |
| 16.0 | 45.0 | 54.0 | 12500 | 5.60 | |
| 20.0 | 60.0 | 70.0 | 20000 | 8.50 | |

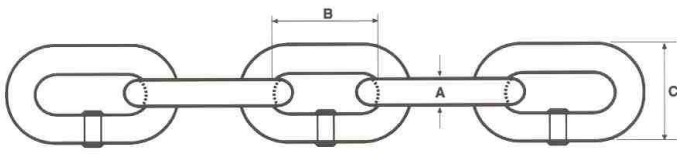
Long Link Chain

Mild steel, commercial quality long link chain. Not to be used for lifting applications!

|  | A (mm) | B (mm) | C (mm) | MBL (mm) | Weight/M (kg) |
|--|-----------|-----------|-----------|-------------|------------------|
| | 5.0 | 25 | 21 | 1000 | 0.53 |
| 7.0 | 42 | 28 | 1900 | 1.00 | |
| 8.0 | 52 | 32 | 2000 | 1.10 | |
| 9.5 | 50 | 38 | 4000 | 1.65 | |
| 13.0 | 81 | 48 | 6000 | 2.95 | |
| 16.0 | 100 | 56 | 10000 | 4.30 | |
| 20.0 | 100 | 70 | 16000 | 7.20 | |

Straight Link Chain

Welded mild steel, commercial quality straight link chain. Supplied in reels only.

|  | A (mm) | B (mm) | C (mm) | Weight/Reel (kg) |
|--|-----------|-----------|-----------|---------------------|
| | 2.5 | 14 | 12 | 8.20 |
| 2.5 | 19 | 12 | 6.90 | |
| 3 | 16 | 14 | 11.40 | |
| 3 | 21 | 14 | 10.60 | |
| 3 | 26 | 14 | 9.00 | |
| 4 | 19 | 17 | 10.40 | |
| 4 | 26 | 17 | 9.50 | |
| 4 | 32 | 17 | 13.30 | |
| 5 | 28 | 21 | 12.50 | |
| 6 | 24 | 25 | 15.70 | |
| 6 | 33 | 25 | 14.30 | |
| 6 | 42 | 25 | 13.60 | |